

# **JBC**

www.jbctools.com

## **INSTRUCTION MANUAL**



## **Automatic Soldering Irons for Automation**

Ref. TRA245-A / TRA470-A

# Packing List

Either TRA245 or TRA470 are included.

The following items should be included for **TRA245**:

**Soldering Iron  
for Automation** ..... 1 unit  
Ref. TRA245-A  
*Works with R245 cartridges*



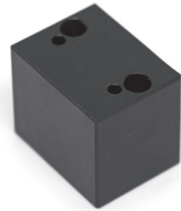
**Screws  
DIN 912 M3X25** ..... 2 units  
Ref. 0001392



**Screws  
DIN 912 M3X40** ..... 2 units  
Ref. 0021514



**Insulator Clamp** .....1 unit  
Ref. 0021512



**Washers  
DIN 125 Ø3,2** ..... 2 units  
Ref. 0242404



**Manual** ..... 1 unit  
Ref. 0021282



The following items should be included for **TRA470**:

**Soldering Iron  
for Automation** ..... 1 unit  
Ref. TRA470-A  
*Works with R470 cartridges*



**Screws**  
**DIN 912 M3x12** ..... 2 units  
Ref. 0926733



**Screws**  
**DIN 912 M3x25** ..... 2 units  
Ref. 0021511



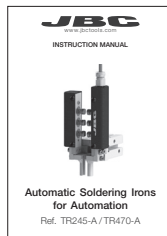
**Insulator Clamp** .....1 unit  
Ref. 0021513



**Washers**  
**DIN 125 Ø3,2** ..... 2 units  
Ref. 0242404



**Manual** ..... 1 unit  
Ref. 0021282



# Assembly

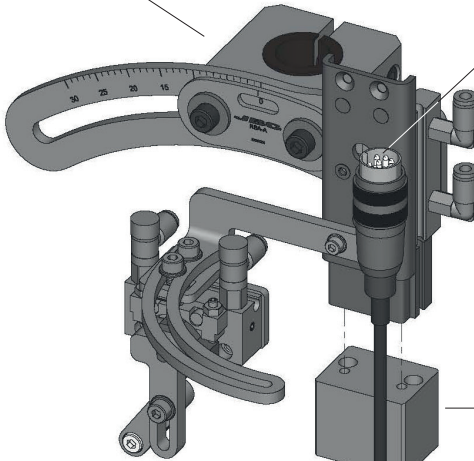
## TRA245

**Soldering Head for Automation\***

Ref. RBA-A



Connection to **UCR245**  
using **Tool Cable**  
Ref. 0021403



**Insulator Clamp**

Ref. 0021512

*It is mandatory to have the electrical Insulator Clamp assembled for proper tool working.*

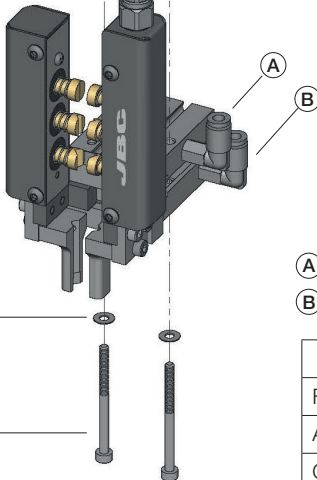
**Don't remove the Insulator Clamp.**

**Screws**

Ref. 0001392

**Automatic Soldering Iron**

Ref. TRA245-A



**Washers**

Ref. 0242404

**Screws**

Ref. 0021514

**(A)** Air tube connection to fix cartridges

**(B)** Air tube connection to release cartridges

### Gripper Actuator

Fluid	Air
Applicable tubing	Ø4mm
Operating pressure	0,15 to 0,7 MPa

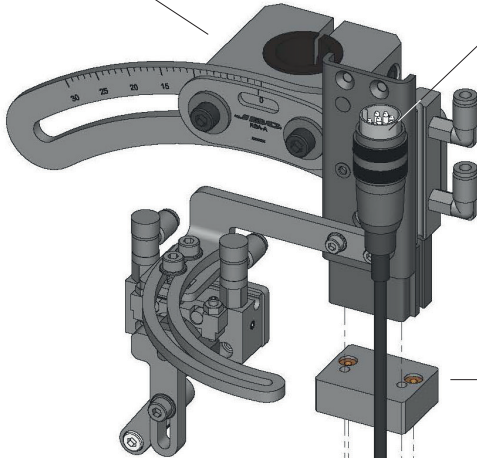
\*Not included, sold separately

## TRA470

### Soldering Head for Automation\*

Ref. RBA-A

Connection to **UCR470**  
using **Tool Cable**  
Ref. 0021403



### Insulator Clamp

Ref. 0021513

*It is mandatory to have the electrical Insulator Clamp assembled for proper tool working.*

**Don't remove the Insulator Clamp.**

**Screws**  
Ref. 0926733

### Automatic Soldering Iron

Ref. TRA470-A

**Washers**  
Ref. 0242404

**Screws**  
Ref. 0021511

(A) Air tube connection to fix cartridges

(B) Air tube connection to release cartridges

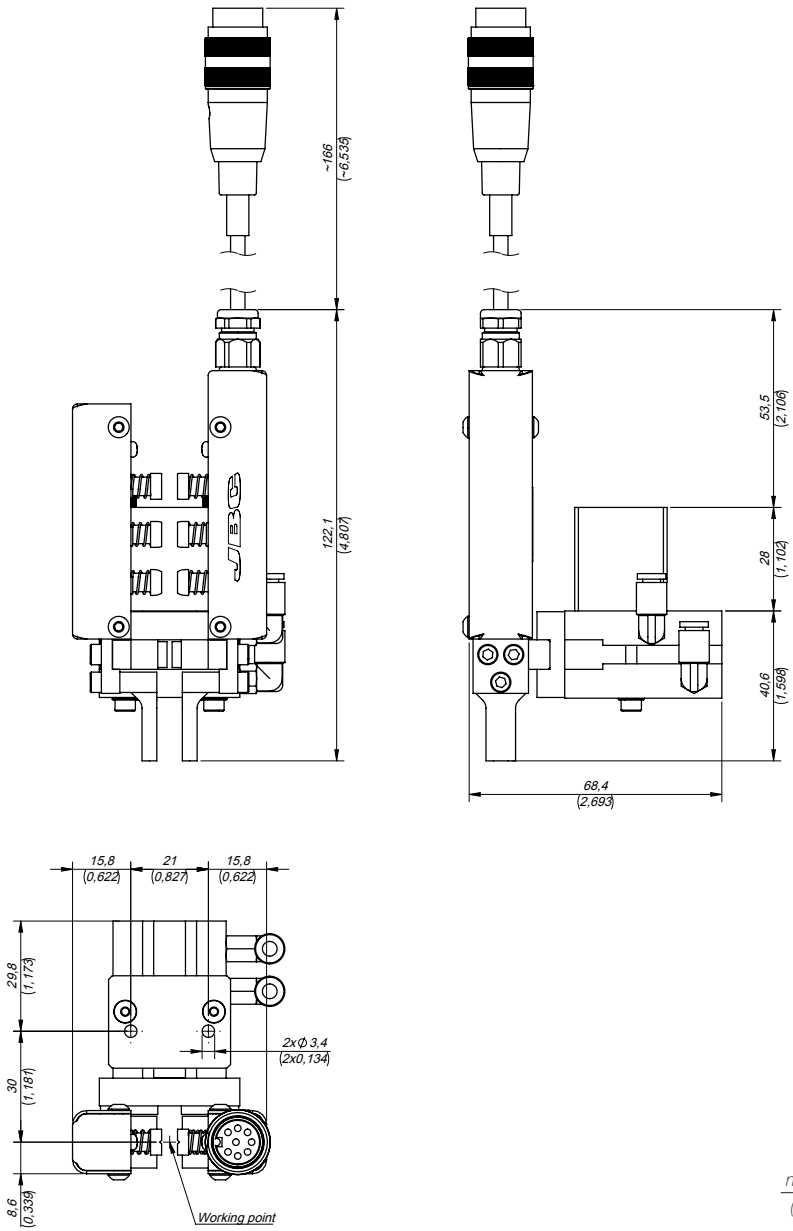
### Gripper Actuator

Gripper Actuator	
Fluid	Air
Applicable tubing	Ø4mm
Operating pressure	0,15 to 0,7 MPa

\*Not included, sold separately

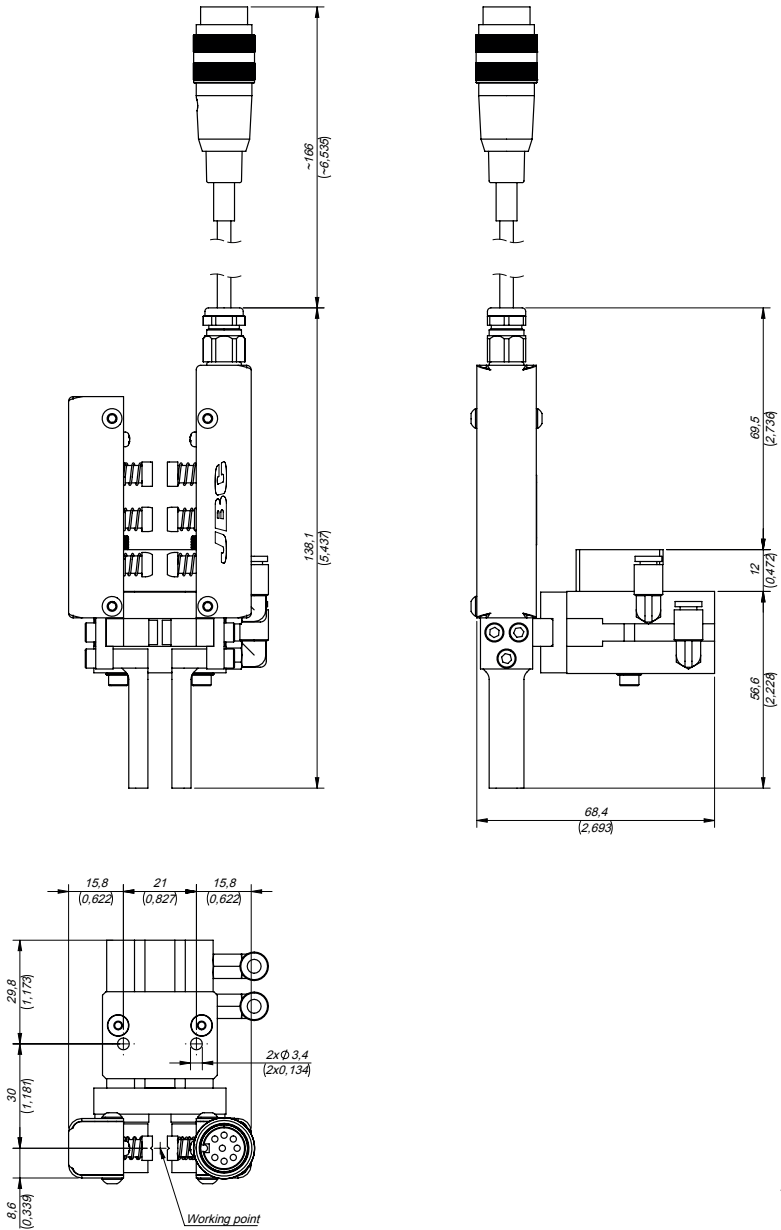
# Dimensions

## TRA245-A



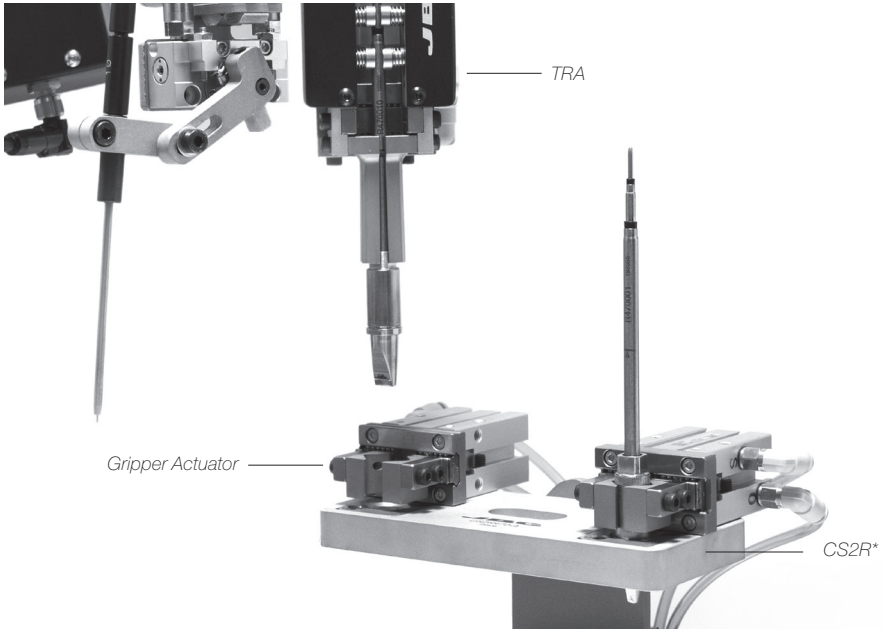
mm  
(in)

## TRA470-A



mm  
/in

# Inserting Cartridges



*\*Not included, sold separately*

The Automatic Soldering Iron for **TRA** is directed towards the cartridge. Once in position its valve must be activated.

JBC recommends bi-stable valves to prevent the cartridges from falling out in case of an emergency stop or power cut.

When using the Automatic Cartridge Stand **CS2R**, you have to activate its valve to open the gripper and to release the cartridge before making any movement.

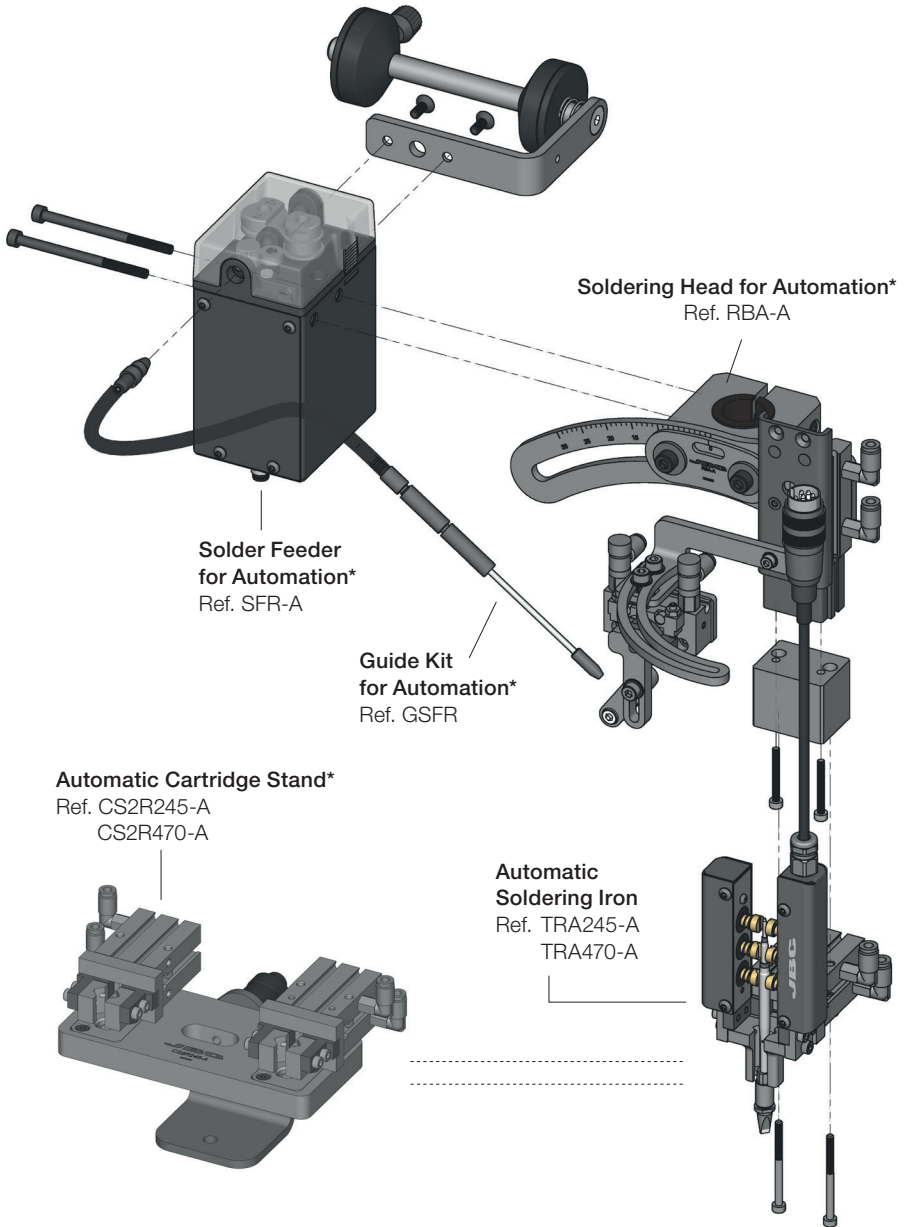
## Compatibility

Soldering Irons	Cartridge Range		Control Unit		Cartridge Stand	
	R245	R470	UCR245	UCR470	CS2R245	CS2R470
TRA245	●		●		●	
TRA470		●		●		●

RBA, SFR, GSFR and CLMR are compatible with R245 and R470 ranges.

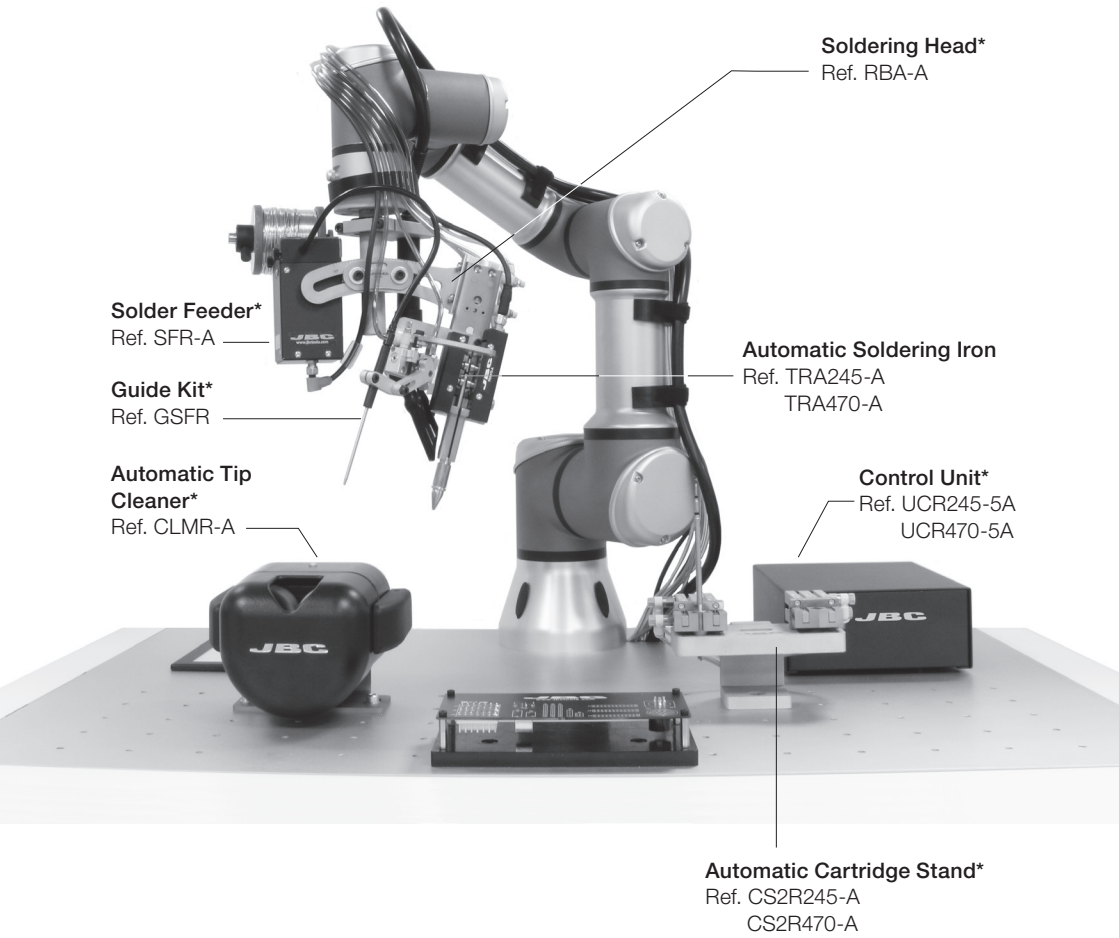


## Accessories



\*Not included, sold separately

# Work Place Example



*\*Not included, sold separately*

## Maintenance

- Before carrying out maintenance, always unplug the tool.
- Use a damp cloth to clean the tool. Alcohol can only be used to clean the metal parts.
- Periodically check that the metal parts of the tool are clean so the control unit can detect the tool status.
- Periodically check all cables and tube connections.
- Maintain tip surface clean and tinned prior to storage in order to avoid tip oxidation. Rusty and dirty surfaces reduce heat transfer to the solder joint.
- Replace any defective or damaged pieces. Use original JBC spare parts only.
- Repairs should only be performed by a JBC authorized technical service.
- Under normal operating conditions, the air gripper lifespan is 10 million cycles. It is recommended to replace it at the end of its lifespan.

## Safety



**It is imperative to follow safety guidelines to prevent electric shock, injury, fire or explosion.**

- Do not use the soldering iron for any purpose other than soldering or rework. Incorrect use may cause fire.
- The temperature of accessible surfaces may remain high after the unit is turned off. Handle with care.
- Do not leave the appliance unattended when it is on.
- Be sure that the power supply is disconnected before changing any spare part.
- Allow the cartridges to cool down before changing them.
- Heat can cause inflammable products to ignite even when not visible.
- Avoid flux coming into contact with skin or eyes to prevent irritation.
- Be careful with the fumes produced when soldering.
- Keep your workplace clean and tidy. Wear appropriate protection glasses and gloves when working to avoid personal harm.
- Utmost care must be taken with liquid tin waste which can cause burns.

# Specifications

## TRA245-A

- Net Weight: 316 g (0.69 lb)
- Dimensions: 122.1 x 68.4 x 52.6 mm (4.807 x 2.693 x 2.111 in)

## TRA470-A

- Net Weight: 318 g (0.70 lb)
- Dimensions: 138.1 x 68.4 x 52.6 mm (5.437 x 2.693 x 2.111 in)

Complies with CE standards.  
ESD protected.

# JBC

---

## Warranty

JBC's two-year warranty covers this equipment against all manufacturing defects, including the replacement of defective parts and labour.

Warranty does not cover product wear or misuse.

In case of any manufacturing defect, the equipment must be returned, postage paid, to the dealer where it was purchased.

---



This product should not be thrown in the garbage.

In accordance with the European directive 2002/96/EC, electronic equipment at the end of their life must be collected and returned to an authorized recycling facility.



Manual in other languages available on our website

[www.jbctools.com](http://www.jbctools.com)